



HOSHIZAKI

- > **IM-130NE**
- > **IM-130NE-21**
- > **IM-130NE-23**

daily ice production capacity of up to 130kg



Cube ice is perfectly symmetrical and leaves a good impression with its hard, crystal clear quality that melts very slowly; allowing customers to enjoy their favourite drink longer. The IM series allows more flexibility of application with each range offering ice in variable sizes alongside a design for uncomplicated usage from start to finish.



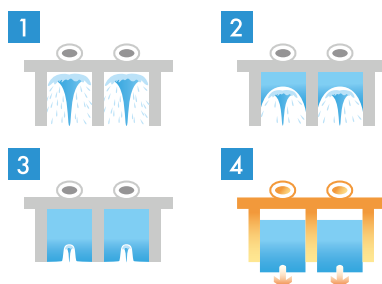
> **IM-130NE**

CUBE ICE MAKER SERIES

FEATURES

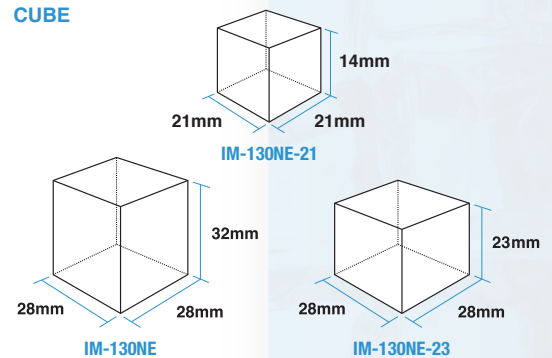
- > smart computer board technology
- > slide-in air filter for easy cleaning
- > stainless steel exterior

UNIQUE ICE PRODUCTION SYSTEM FOR ICE CUBE

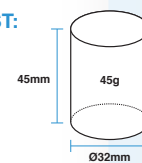


ICE TYPE & SIZE

CUBE



UPON REQUEST:

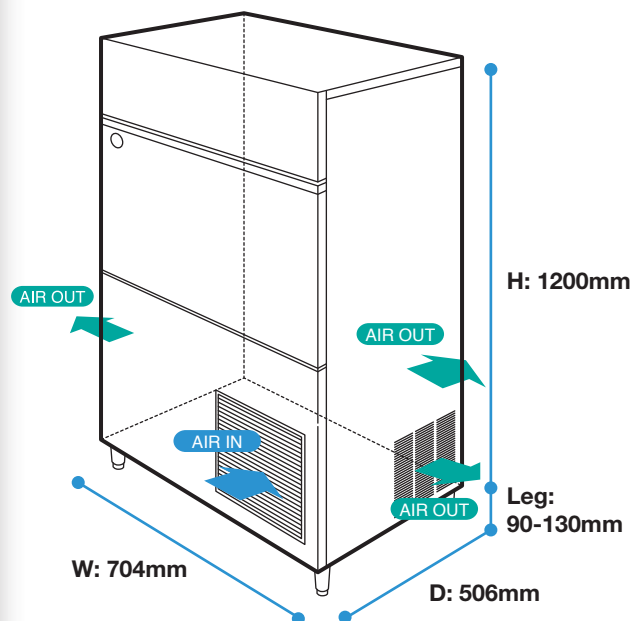


Cylinder ice model is available. (Model - **IM-130ME-C**).

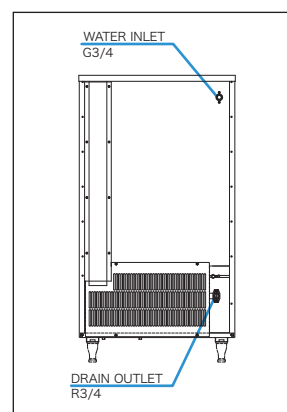


DIMENSIONS & SPECIFICATION

CUBE ICE MAKER AIR SYSTEM



BACK VIEW



MODEL NAME		IM-130NE	IM-130NE-21	IM-130NE-23
ICE DIMENSIONS (MM) (W x D x H)		28 x 28 x 32	21 x 21 x 14	28 x 28 x 23
DIMENSIONS (MM) (W x D x H)		Body : 704 x 506 x 1200 / Leg Height : 90-130 mm		
PACKED DIMENSIONS (MM) (W x D x H)		830 x 620 x 1395		
WEIGHT (NETT/GROSS)		76 KG / 84 KG		
AMPERAGE / STARTING AMPERAGE		4.5A / 19A		
ELECTRICAL CONSUMPTION		700 W		
REFRIGERANT CHARGE		R134a		
HEAT REJECTION (AT32°C/WT21°C)		1880 W (1620 kcal/h)		
ICE PRODUCTION PER 24H (15MM)	(AT10°C/WT10°C)	130 KG	110 KG	100 KG
	(AT21°C/WT15°C)	112 KG	100 KG	90 KG
	(AT32°C/WT21°C)	96 KG	87 KG	76 KG
WATER CONSUMPTION PER 24H (AT21°C/WT15°C)		0.26 m ³	0.36 m ³	0.29 m ³
		2.3L / 1KG ICE	3.6L / 1KG ICE	3.2L / 1KG ICE
ICE PRODUCTION (AT21°C/WT15°C)	FREEZE CYCLE TIME	22 MIN	14 MIN	19 MIN
	PER CYCLE	1.8 KG / 80 PCS	1.15 KG / 190 PCS	1.3 KG / 80 PCS
STORAGE CAPACITY		50 KG		

WARRANTY:

Two years parts & labour for entire unit, 3rd year on compressor only. Excluding door & exterior damages

OPERATING CONDITIONS:

• Voltage Range: 198V-254V • Ambient Temperature: 1°-40°C
 • Water Supply: 5°-35°C / 0.07-0.8 Mpa / 7.25-116 PSI • AC Supply Voltage: 1/220-240V / 50 Hz
 *60Hz units are available upon request