



HOSHIZAKI



> **FM-300AKE**

flake ice

daily ice production capacity of up to 320kg



> **FM-300AKE-N**

nugget ice

daily ice production capacity of up to 270kg



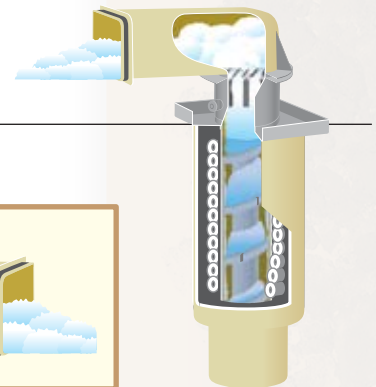
> **FM-300AKE**
(With Hoshizaki Storage Bin - **B-301SA**)

Aside for drinks, ice is important for preservation purposes. Hoshizaki's FM ice machines produce flakes consisting of 70% ice and 30% water, used primarily for cooling purposes and has no 'freeze-burn' effect when displaying fresh produce. It is also used in large facilities such as healthcare, catering, supermarket chains or even cocktail bars.

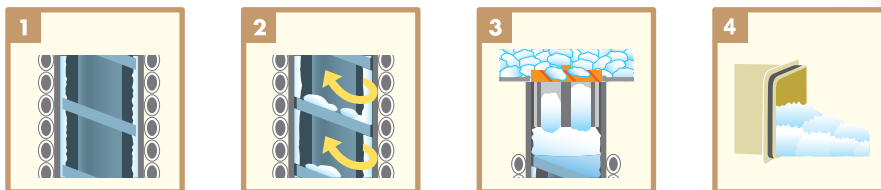
FLAKE ICE MAKER SERIES

FEATURES

- > carbon auger bearings enhances product life expectancy, reduces maintenance cost
- > hydrocarbon refrigerants lowers energy consumption
- > 100% hfc free co2 foam insulation maintains consistent temperature
- > smart computer board technology
- > stainless steel exterior
- > led error indicator for easy diagnosis

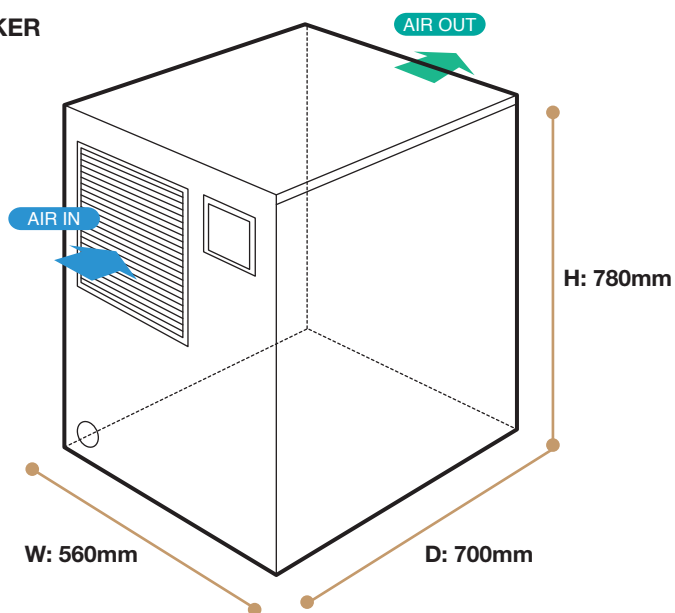


UNIQUE ICE PRODUCTION SYSTEM

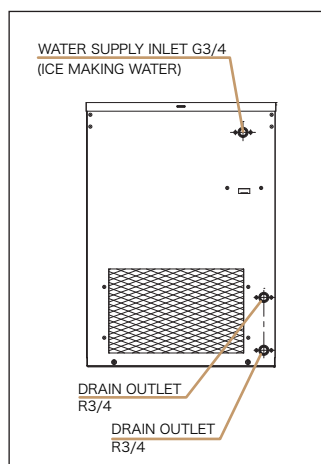


DIMENSIONS & SPECIFICATION

FLAKE ICE MAKER AIR SYSTEM



BACK VIEW



| MODEL NAME | | FM-300AKE | FM-300AKE-N |
|---|-----------------|----------------------|----------------------|
| ICE SHAPE | | Flake | Nugget |
| DIMENSIONS (MM) (W x D x H) | | 560 x 700 x 780 | |
| PACKED DIMENSIONS (MM) (W x D x H) | | 671 x 820 x 971 | |
| WEIGHT (NETT/GROSS) | | 80 KG / 87 KG | |
| AMPERAGE / STARTING AMPERAGE | | 5.8A / 19A | 5.7A / 19A |
| ELECTRICAL CONSUMPTION | | 1000 W | |
| REFRIGERANT CHARGE | | R404a | |
| HEAT REJECTION | | 2200 W (1891 kcal/h) | |
| ICE PRODUCTION PER 24H (15MM) | (AT10°C/WT10°C) | 320 KG | 270 KG |
| | (AT21°C/WT15°C) | 260 KG | 225 KG |
| | (AT32°C/WT21°C) | 200 KG | 180 KG |
| WATER CONSUMPTION PER 24H (AT21°C/WT15°C) | | 0.29 m ³ | 0.255 m ³ |
| | | 1.1L / 1KG ICE | 1.1L / 1KG ICE |

WARRANTY:

Two years parts & labour for entire unit, 3rd year on compressor only. Excluding door & exterior damages

OPERATING CONDITIONS:

• Voltage Range: 198V-254V • Ambient Temperature: 1°-40°C
• Water Supply: 5°-35°C / 0.05-0.8 Mpa / 7.25-116 PSI • AC Supply Voltage: 1/220-240V / 50 Hz