

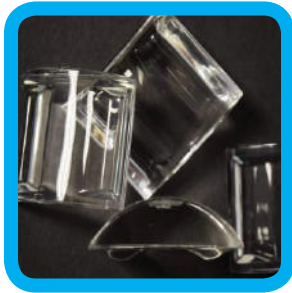


# HOSHIZAKI

CRESCENT ICE MAKER SERIES

## > KM-115B

Daily ice production capacity up to **112 KG**



This KM series ice maker produces clear, crescent shaped ice that is extremely versatile. It includes a double-sided stainless steel evaporator, which requires fewer cycles to produce a full bin of ice, thereby reducing energy consumption.

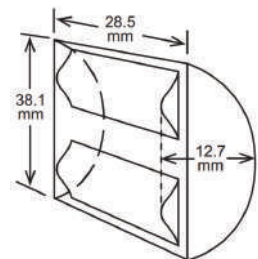


### FEATURES

- > Individual premium crescent cube with no ice bridging.
- > Exceptionally hard crystal clear cubes that melt slowly.
- > Slide in air filter at front for easy cleaning maintaining performance efficiency.
- > Double-sided stainless steel evaporator for all water conditions produces more ice in less cycles.
- > Snap in water tank design - easy to remove for sanitization.
- > Durable stainless steel exterior.
- > Low water electrical consumption.
- > Flush mount to rear wall.
- > Good in hard water areas.



### ICE SIZE

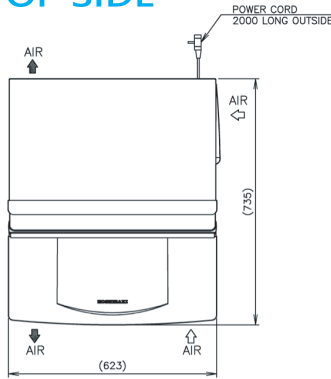


### CERTIFICATION

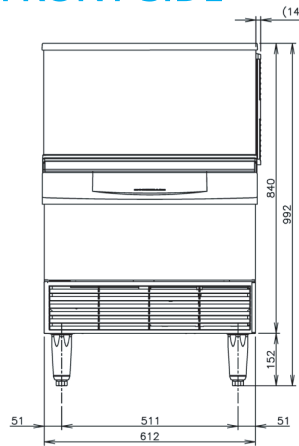


# DIMENSIONS & SPECIFICATION

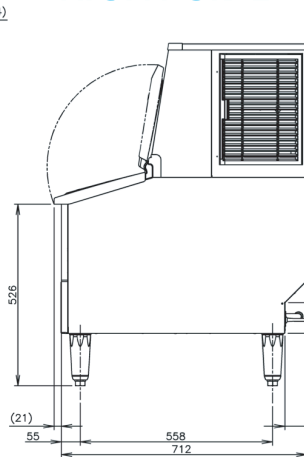
## TOP SIDE



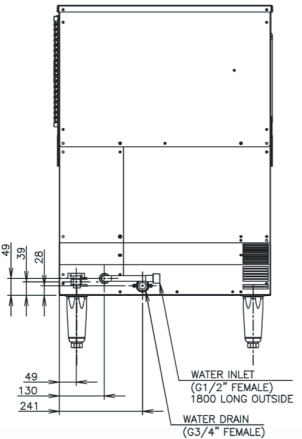
## FRONT SIDE



## RIGHT SIDE



## BACK SIDE



### KM-115B

**ICE DIMENSIONS (WxDxH)**

38.1 x 28.5 x 12.7 mm

**DIMENSIONS (WxDxH)**

612 x 712 x 992 mm

**PACKAGE DIMENSIONS (WxDxH)**

695 x 800 x 945 mm

**WEIGHT (NET/GROSS)**

62 KG / 82 KG

**AMPERAGE / STARTING AMPERAGE**

4.1 A / 18.3 A

**ELECTRICAL CONSUMPTION (AT32°C/WT21°C)**

598 W

**REFRIGERANT CHARGE**

R404A/ 260g

**HEAT REJECTION (AT32°C/WT21°C)**

1450W (1247 kcal/h)

**ICE PRODUCTION PER 24H (15MM)**

(AT10°C/WT10°C)	112 KG
(AT21°C/WT15°C)	105 KG
(AT32°C/WT21°C)	73 KG

**ICE PRODUCTION PER CYCLE (AT32°C/WT21°C)**

Approx. 1.67 KG / 182 pcs  
FREEZE CYCLE TIME PER CYCLE 31 min - utes

**WATER CONSUMPTION PER 24H (AT32°C/WT21°C)**

0.13 m<sup>3</sup> ≈ 1.8 L / 1 KG ice

**STORAGE CAPACITY**

35KG/45KG (BIN SENSOR /MAX)

#### NOTE:

All dimensions indicated are Width x Depth x Height in mm

\*60Hz units are available on request

#### OPERATING CONDITIONS:

• Voltage Range: 198V-254V • Ambient Temperature: 1°-40°C • Water Supply: 5°-35°C / 0.07-0.78 Mpa / 7.25-116 PSI • AC Supply Voltage: 1/220-240V / 50Hz