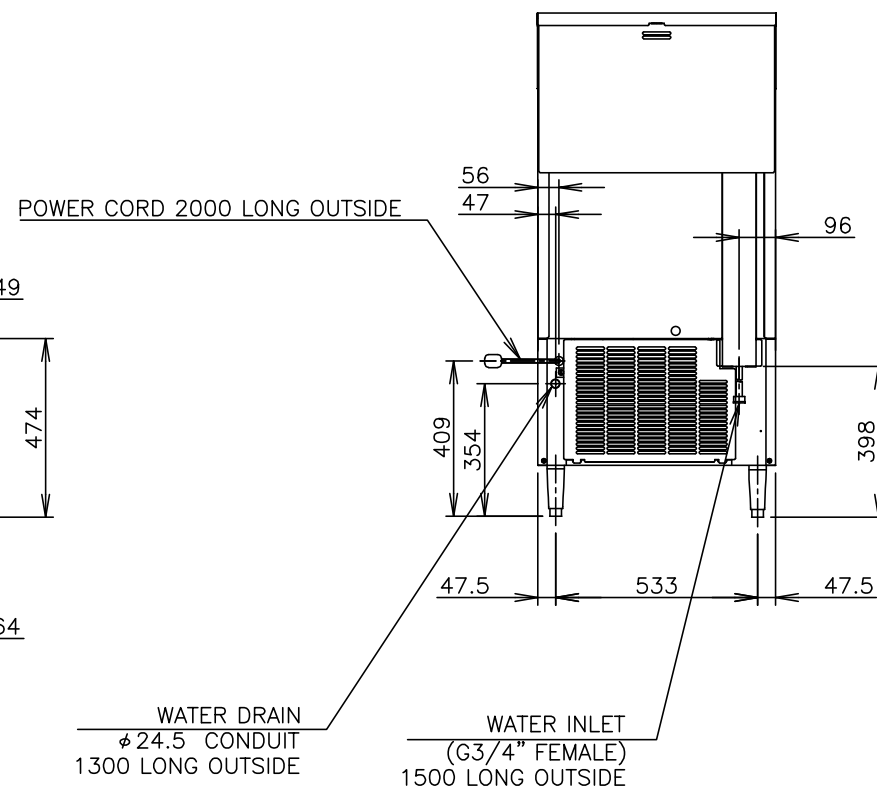
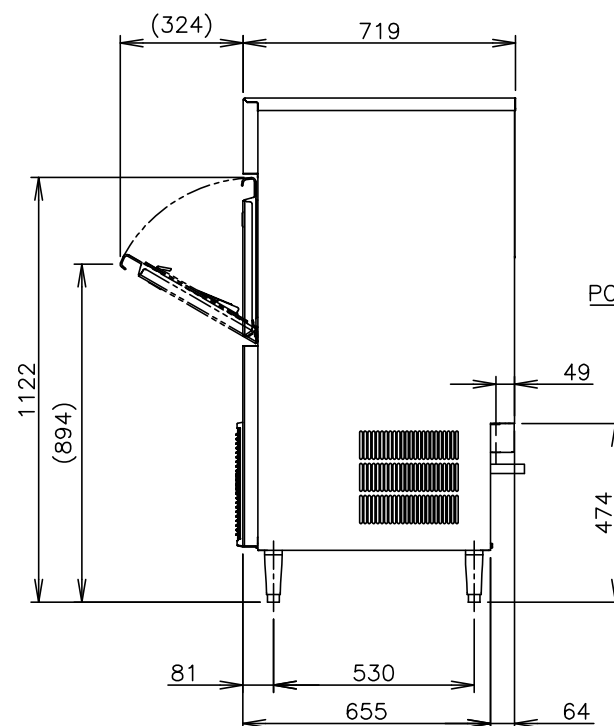
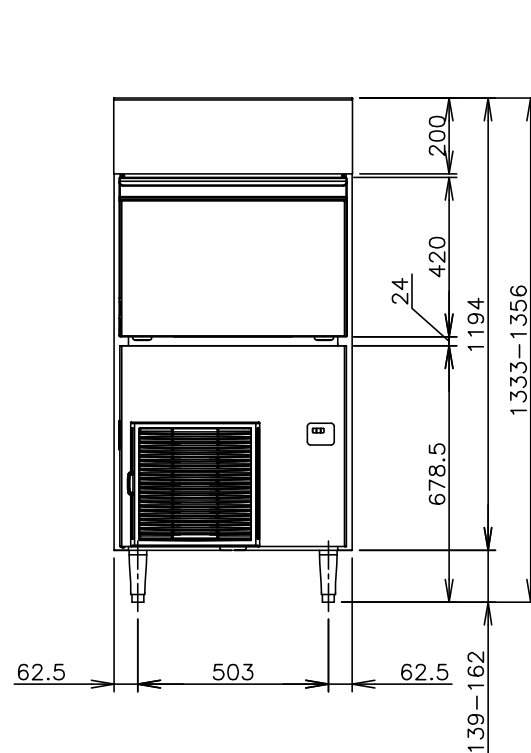
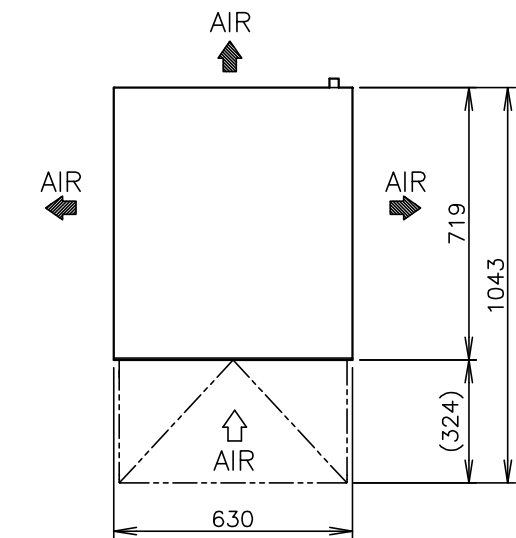


LOW WATER PROTECTION	Float Switch
ICE MAKER PROTECTION	Interlock by Controller Board
WEIGHT	69kg (Gross 81kg)
△ PACKAGE	Carton 725mm(W) x 825mm(D) x 1351mm(H)
ACCESSORIES	Instruction Manual, Scoop, Leg(4 pcs.)
OPTION	UV-LED, Fully Automated Cleaning Kit
OPERATION CONDITION	Ambient Temp.: 1-40°C, Water Supply Temp.: 5-35°C Water Supply Pressure: 0.07-0.8MPa(0.7-8bar) Voltage Range: ±6%

*We reserve the right to make changes in specifications and design without prior notice.

1. Install the product properly in accordance with the instructions on location, water supply/drain connections and electrical connections stated in the instruction and installation manuals provided.
2. The ice production depends on the ambient and water temperatures. Refer to the instruction manual.
3. Standard Model
Product Code: F178-C121, F178-C171
4. Fully Automated Cleaning Model
Model: KM-130C-W
Product Code: F178-C221, F178-C271
WEIGHT: 71kg(Gross 83kg)

ITEM	Hoshizaki Crescent Ice Maker (Self-Contained Type)
MODEL	KM-130C
POWER SUPPLY	1 PHASE 220 - 240V 50Hz Capacity: Min. 1.23kVA (5.4A)
AMPERAGE	4.3A (AT. 32°C, WT. 21°C) Starting: 18.4A
ELECTRIC CONSUMPTION	Rated Motor: 593W (Power factor: 60%)
ICE PRODUCTION PER 24h	Approx. 130g/d (AT. 10°C, WT. 10°C) Approx. 120kg/d (AT. 21°C, WT. 15°C) Approx. 90kg/d (AT. 32°C, WT. 21°C)
WATER CONSUMPTION PER 24h	Approx. 0.37m³/d (AT. 10°C, WT. 10°C) Approx. 0.20m³/d (AT. 21°C, WT. 15°C) Approx. 0.14m³/d (AT. 32°C, WT. 21°C)
ELECTRICAL CONSUMPTION PER 100kg ICE	13.8kWh/100kg (AT.32°C,WT.21°C)
WATER CONSUMPTION PER 100kg ICE	0.15m³ /100kg (AT.32°C,WT.21°C)
SHAPE OF ICE	Crescent Cube
FREEZE CYCLE TIME	Approx. 22Min (AT. 21°C, WT. 15°C)
ICE PRODUCTION PER CYCLE	Approx. 1.86kg / 208pcs (AT. 21°C, WT. 15°C)
MAX STORAGE CAPACITY	Approx. 55kg (Bin Cont Setting Approx. 47kg)
OUTSIDE DIMENSIONS	630mm(W) x 719mm(D) x 1333 - 1356mm(H)
EXTERIOR	Stainless Steel, Galvanized Steel(Rear), Plastic(Louver)
INSULATION	Polyurethane Foam
INSULATION FOAM BLOWING AGENT	Cyclopentane
CONNECTIONS-ELECTRIC	Y-type Connection(with Plug)
CONNECTIONS-WATER SUPPLY	Inlet G3/4"(connected at rear side)
CONNECTIONS-DRAIN	Outlet φ 24.5(connected at rear side)
ICE MAKING SYSTEM	Vertical Evaporator with water flow on both sides
HARVESTING SYSTEM	Water Supply Harvest Cycle and Hot Gas Defrost
COMPRESSOR	Hermetic
CONDENSER	Air-cooled, Micro Channel Type
HEAT REJECTION	1380W (AT.32°C, WT.21°C)
EVAPORATOR	Vertical type, Stainless Steel and Copper
REFRIGERANT CONTROL	Thermostatic Expansion Valve
REFRIGERANT CHARGE	R404A/220g
ICE MAKING CONTROL SYSTEM	Float Switch
HARVESTING CONTROL SYSTEM	Hot Gas and Water, Thermistor and Timer
ICE MAKING WATER CONTROL SYSTEM	Timer Controlled, Overflow Pipe
BIN CONTROL SYSTEM	Mechanical Level Switch with Delay
ELECTRICAL PROTECTION	Class I Appliance, 5A Fuse
P.C. BOARD CIRCUIT PROTECTION	High Voltage Cut-out(Internal)
COMPRESSOR PROTECTION	Auto-reset Overload Protector(Internal)
REFRIGERANT CIRCUIT PROTECTION	Condensing Temperature detected by Thermister (Auto-reset)



HOSHIZAKI CRESCENT ICE MAKER(SELF-CONTAINED TYPE) KM-130C (for Southeast Asia)

APPROVED KONDO	CHECKED YAMAGUCHI	DESIGNED KOSHI	DRAWN OHASHI	SCALE 1/10	TRIGONOMETRY
KONDO	KOSHI	△	2023.12.08	DATE 2022.10.20	DRAWING NO. D34682
APPROVED	DESIGNED	SYMBOL	DATE		SYMBOL △