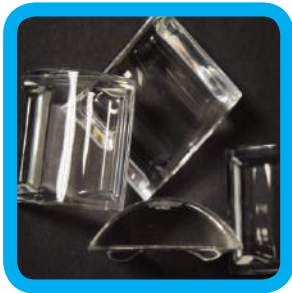




# HOSHIZAKI

## > KM-80B

Daily ice production capacity up to **79KG**



This KM series ice maker produces clear, crescent shaped ice that is extremely versatile. It includes a double-sided stainless steel evaporator, which requires fewer cycles to produce a full bin of ice, thereby reducing energy consumption.



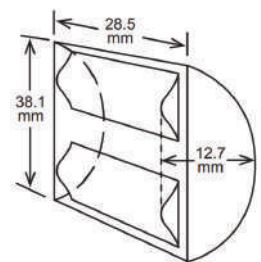
CRESCENT ICE MAKER SERIES

### FEATURES

- > Individual premium crescent cube with no ice bridging.
- > Exceptionally hard crystal clear cubes that melt slowly.
- > Slide in air filter at front for easy cleaning maintaining performance efficiency.
- > Double-sided stainless steel evaporator for all water conditions produces more ice in less cycles.
- > Snap in water tank design - easy to remove for sanitization.
- > Durable stainless steel exterior.
- > Low water electrical consumption.
- > Flush mount to rear wall.
- > Good in hard water areas.



### ICE SIZE

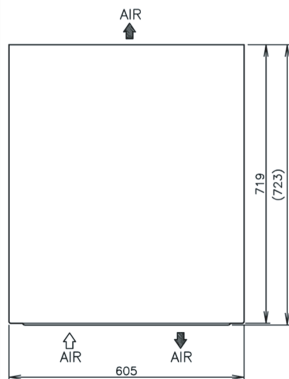


### CERTIFICATION

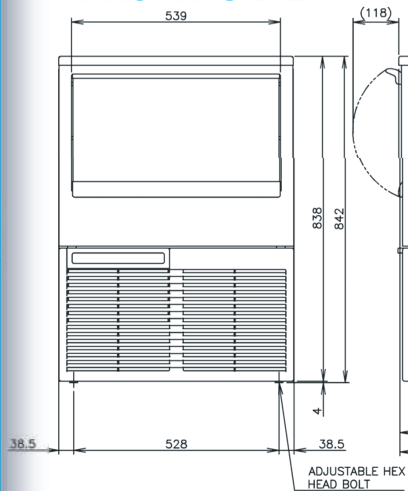


# DIMENSIONS & SPECIFICATION

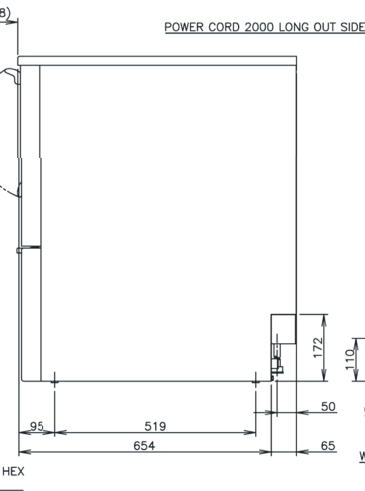
## TOP SIDE



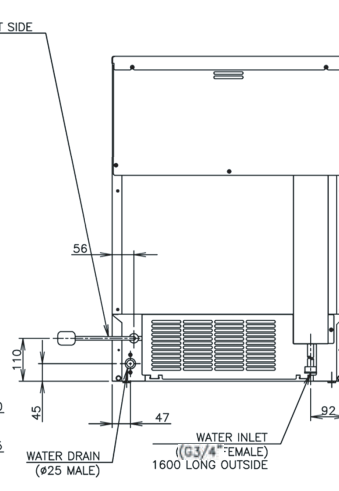
## FRONT SIDE



## RIGHT SIDE



## BACK SIDE



<b>KM-80B</b>		
<b>ICE DIMENSIONS (WxDxH)</b>	38.1 x 28.5 x 12.7 mm	
<b>DIMENSIONS (WxDxH)</b>	605 x 719 x 842 mm	
<b>PACKAGE DIMENSIONS (WxDxH)</b>	690 x 805 x 955 mm	
<b>WEIGHT (NET/GROSS)</b>	51 KG / 64 KG	
<b>AMPERAGE / STARTING AMPERAGE</b>	2.9 A / 13.3 A	
<b>ELECTRICAL CONSUMPTION (AT32°C/WT21°C)</b>	449 W	
<b>REFRIGERANT CHARGE</b>	R134a/ 240g	
<b>HEAT REJECTION (AT32°C/WT21°C)</b>	850W (731 kcal/h)	
<b>ICE PRODUCTION PER 24H (15MM)</b>	(AT10°C/WT10°C)	79 KG
	(AT21°C/WT15°C)	74 KG
	(AT32°C/WT21°C)	57 KG
<b>ICE PRODUCTION PER CYCLE (AT32°C/WT21°C)</b>	Approx. 1.25 KG / 130 pcs	
	FREEZE CYCLE TIME PER CYCLE	
	30 minutes	
<b>WATER CONSUMPTION PER 24H (AT32°C/WT21°C)</b>	0.14 m <sup>3</sup> ≈ 2.4 L / 1 KG ice	
<b>STORAGE CAPACITY</b>	34KG/40KG (BIN SENSOR /MAX)	

### NOTE:

All dimensions indicated are Width x Depth x Height in mm  
\*60Hz units are available on request

### OPERATING CONDITIONS:

• Voltage Range: 198V-254V • Ambient Temperature: 1°-40°C • Water Supply: 5°-35°C / 0.07-0.78 Mpa / 7.25-116 PSI • AC Supply Voltage: 1/220-240V / 50Hz