



# HOSHIZAKI

## LOW DRAWER FREEZER

### FTL-108MA-SD

A-FIT cabinets are designed to show outstanding performance and durability backed by Hoshizaki's many years of experience and high-quality standard. The cabinets combine ergonomic design with high functionality and strong cooling capacity to meet customer high expectations.



### KEY FEATURES

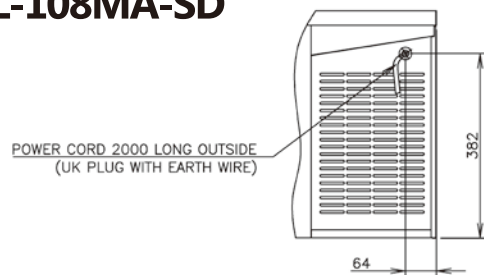
- > Utilize table top for cooking equipment, etc. for effective operation
  - > Ergonomic door handle design
  - > Forced evaporation system
  - > Smart auto-defrost system
  - > Removable door gaskets
  - > 1/1 GN compatible drawers
- \* GN trays are not included

### CERTIFICATION

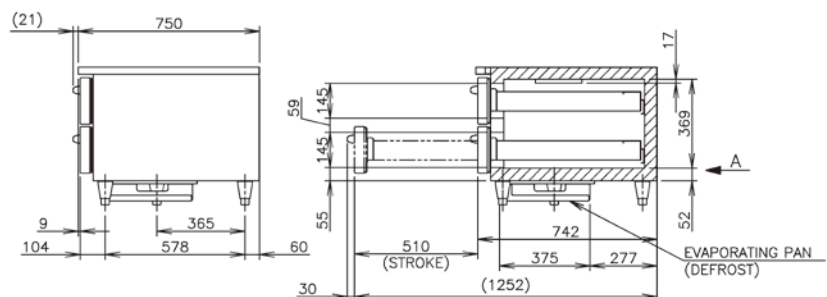
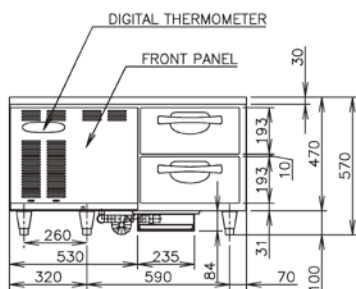
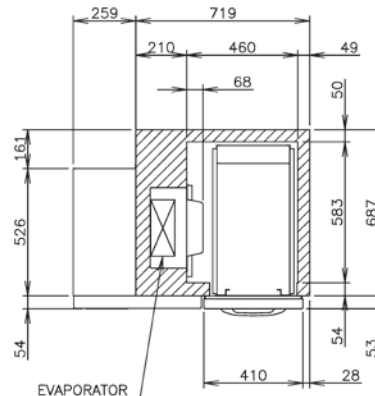
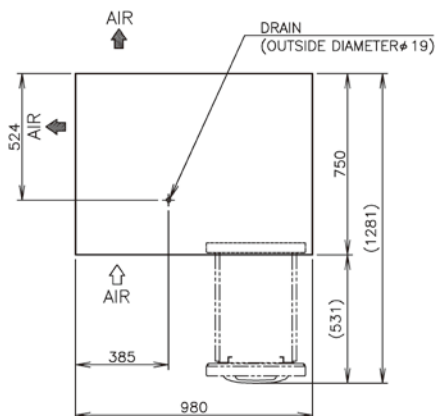
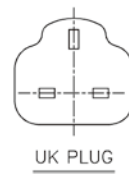


# DIMENSIONS & SPECIFICATION

## FTL-108MA-SD



VIEW A (1/10)



MODEL	FTL-108MA-SD
TEMP. CONTROL	-23 to 7°C
EFFECTIVE CAPACITY	85 L
WEIGHT	76 kg (Gross 81 kg)
OUTSIDE DIMENSIONS W x D x H (mm)	980 x 750 x 570 (560-590)
PACKAGE W x D x H (mm)	1045 x 830 x 560
POWER SUPPLY	1 Phase 220 - 240V 50Hz Capacity: 0.95kVA (4.3A)
ELECTRIC CONSUMPTION	Motor: 360 W Heater: 409 W Refrigeration: 376 W Defrost: 409 W
AMPERAGE	Rated: 3.0A
SHELF	-
OPERATING CONDITION	Ambient Temperature: 5 - 38°C Voltage Range: Rated Voltage ±6%

We reserve the right to make changes in specification and design without prior notice. [WWW.HOSHIZAKI.COM](http://WWW.HOSHIZAKI.COM)

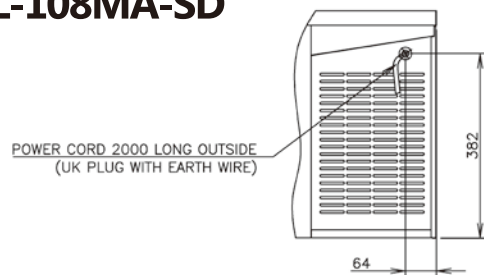


# HOSHIZAKI

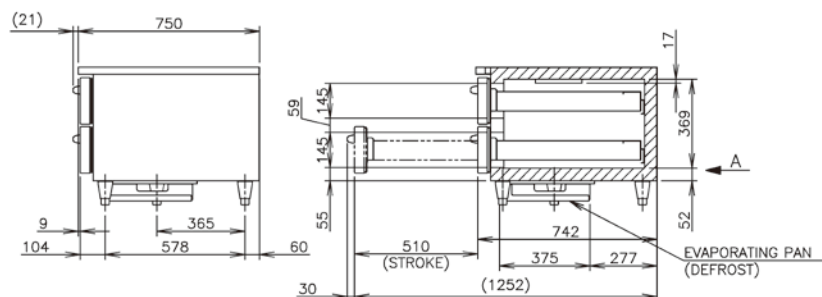
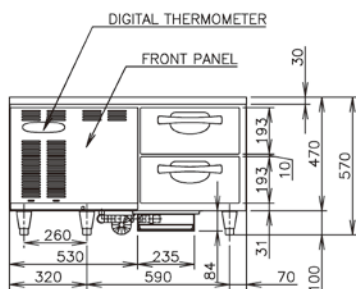
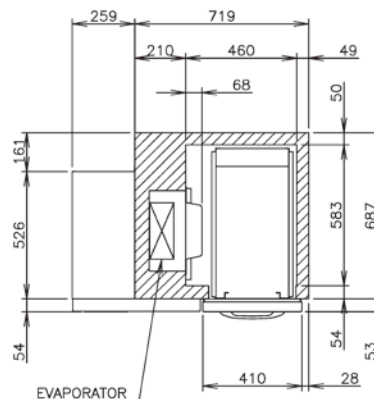
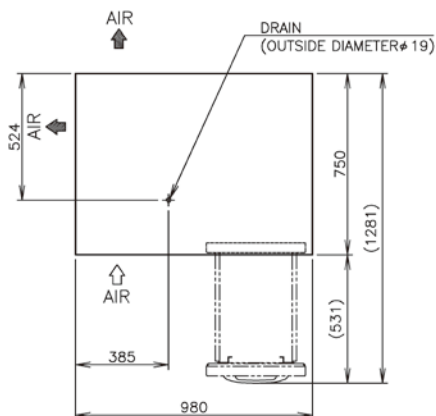
18 Boon Lay Way #01-102 Tradehub 21, 609966  
TEL 6225 2612 FAX 6225 3219 [www.hoshizaki.com.sg](http://www.hoshizaki.com.sg)

# DIMENSIONS & SPECIFICATION

## FTL-108MA-SD



VIEW A (1/10)



MODEL	<b>FTL-108MA-SD</b>
TEMP. CONTROL	-23 to 7°C
EFFECTIVE CAPACITY	85 L
WEIGHT	76 kg (Gross 81 kg)
OUTSIDE DIMENSIONS W x D x H (mm)	980 x 750 x 570 (560-590)
PACKAGE W x D x H (mm)	1045 x 830 x 560
POWER SUPPLY	1 Phase 220 - 240V 50Hz Capacity: 0.95kVA (4.3A)
ELECTRIC CONSUMPTION	Motor: 360 W Heater: 409 W Refrigeration: 376 W Defrost: 409 W
AMPERAGE	Rated: 3.0A
SHELF	-
OPERATING CONDITION	Ambient Temperature: 5 - 38°C Voltage Range: Rated Voltage ±6%

We reserve the right to make changes in specification and design without prior notice. [WWW.HOSHIZAKI.COM](http://WWW.HOSHIZAKI.COM)



# HOSHIZAKI