



HOSHIZAKI

- > HNC-120BE-(L/R) / HNC-150BE-(L/R) / HNC-180BE-(L/R) / HNC-210BE-(L/R)

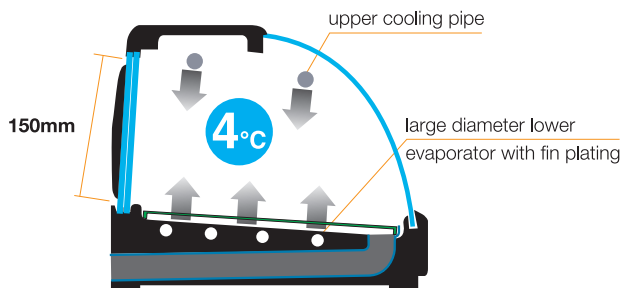


Sushi cases function to ensure the freshness of produce and as a point of attraction when placed on the sushi counter. Hoshizaki's sushi cases designed with curved glass provide an aesthetic edge while its powerful cooling performance with stable humidity and temperature control keeps sushi fresh without drying out. Left or right option refrigerant panel ensures flexibility of placement on the counter.

SUSHI CASE
REFRIGERATED SHOWCASE SERIES

FEATURES

- > powerful cooling performance



UNIT LOCATION

L type



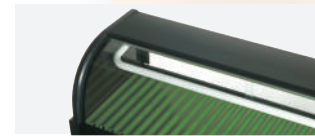
L : Unit on left

R type

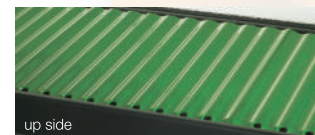


R : Unit on left

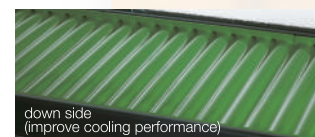
- > sloped for improved viewing



- > food plates can be turned upside and used



up side



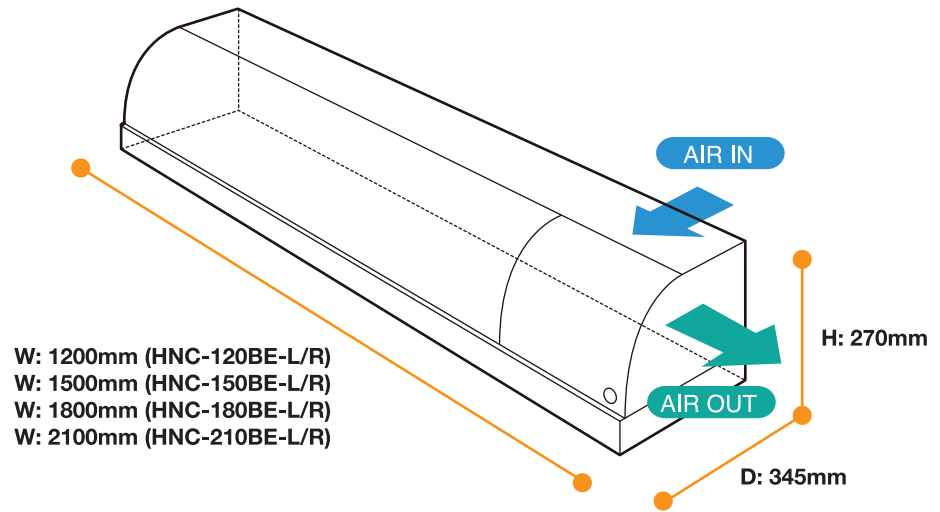
down side
(improve cooling performance)



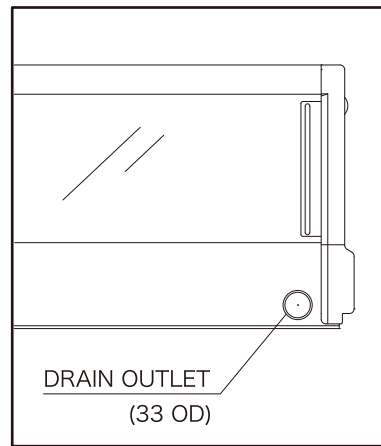
ISO14001 CE

DIMENSIONS & SPECIFICATION

SUSHI CASE REFRIGERATED SHOWCASE AIR SYSTEM



BACK VIEW



MODEL NAME	HNC-120BE-(L/R)	HNC-150BE-(L/R)	HNC-180BE-(L/R)	HNC-210BE-(L/R)
AMPERAGE	1.1A			
STARTING AMPERAGE	10A			
ELECTRIC CONSUMPTION	150W / 512 BTU			
SATURATION TEMPERATURE	APPROX: 4°C (Ambient Temperature 27°C)			
PULL DOWN TIME	APPROX: 30min (30°C >10°C)			
REFRIGERANT CHARGE	R134a / 110 g	R134a / 130 g	R134a / 150 g	R134a / 190 g
OUTSIDE DIMENSIONS (W x D x H)	1200 x 345 x 270	1500 x 345 x 270	1800 x 345 x 270	2100 x 345 x 270
INSIDE DIMENSIONS (W x D x H)	845 x 288 x 157	1145 x 288 x 157	1445 x 288 x 157	1745 x 288 x 157
EFFECTIVE CAPACITY	42 Liter	57 Liter	72 Liter	87 Liter
DEFROST SYSTEM	N/A			
DOOR (SLIDING GLASS)	2 (W435 x H172 mm)	4 (W293 x H172 mm)	4 (W368 x H172 mm)	4 (W443 x H172 mm)
PACKED DIMENSION (W x D x H)	1280 x 415 x 517	1580 x 415 x 517	1880 x 415 x 517	2180 x 415 x 517
WEIGHT (NET / GROSS)	32kg / 44kg	37kg / 52kg	47kg / 65kg	62kg / 75kg

• WARRANTY:

One year-parts and labour entire unit, excluding glasses, door and exterior damages.
 • Refrigerator display case - Not for overnight storage.

OPERATING CONDITIONS:

• Voltage Range: 207V-254V • Ambient Temperature: 10°-30°C • AC Supply Voltage: 1/220-240V / 50 Hz ^{R2}

We reserve the right to make changes in specification and design without prior notice.

www.hoshizaki.com