



# HOSHIZAKI

## PREP TABLE

### RT-188MA-S-PR

A-FIT cabinets are designed to show outstanding performance and durability backed by Hoshizaki's many years of experience and high-quality standard. The cabinets combine ergonomic design with high functionality and strong cooling capacity to meet customer high expectations.



### KEY FEATURES

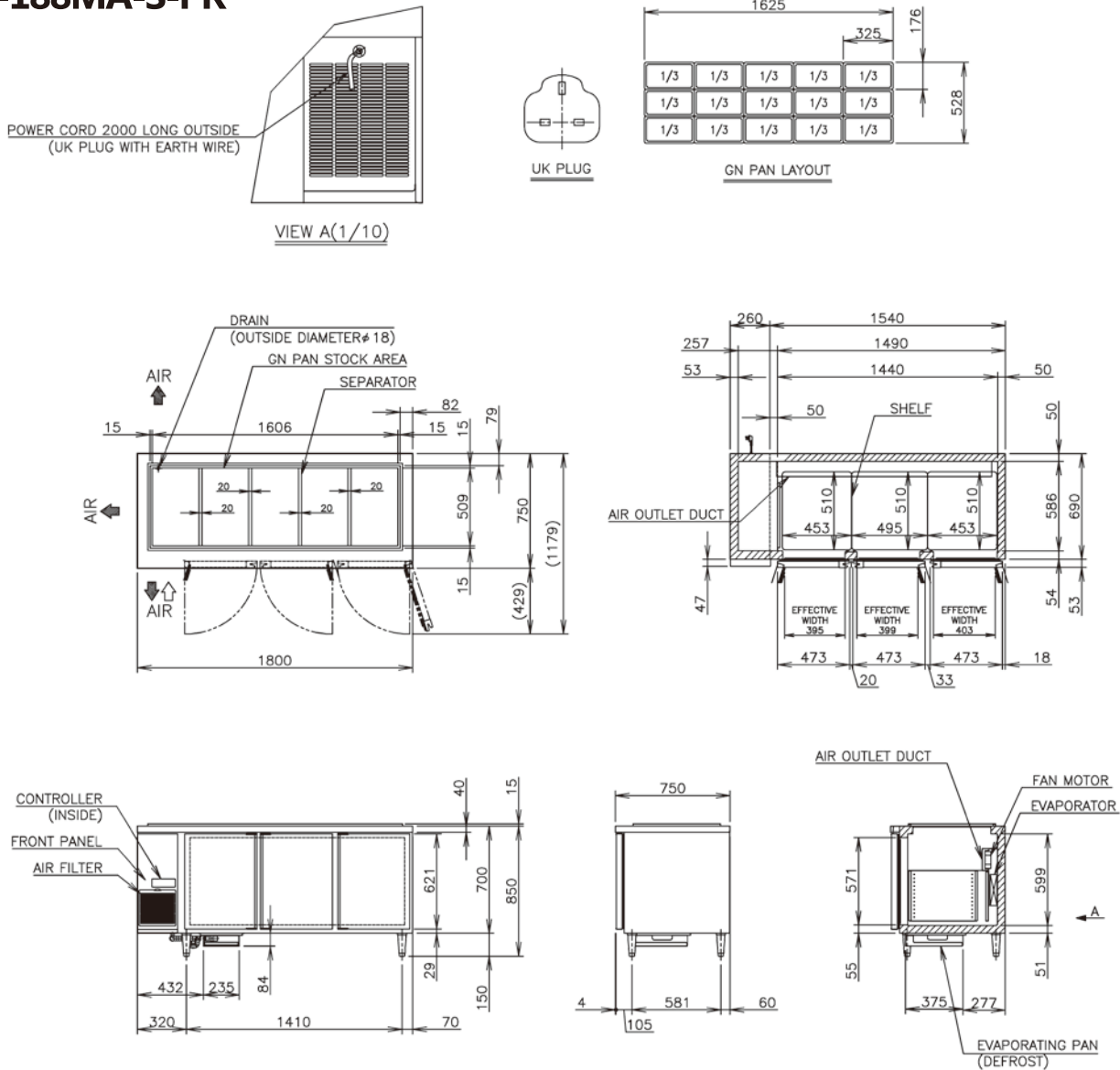
- > Full size table top opening for GN trays flexible arrangement
- > Enhanced cooling capacity with larger evaporator and stronger cooling fan
- > Cleaning-free condenser
- > Ergonomic full-height door
- > HACCP complied design
- > Forced evaporation system
- > Smart auto-defrost system
- > Field reversible door
- > Removable door gaskets

### CERTIFICATION



# DIMENSIONS & SPECIFICATION

## RT-188MA-S-PR



MODEL	<b>RT-188MA-S-PR</b>
TEMP. CONTROL	- 2 to 12°C
EFFECTIVE CAPACITY	517 L
WEIGHT	Net : 108 kg (Gross : Approx. 113 kg)
OUTSIDE DIMENSIONS W x D x H (mm)	1800 x 750 x 850 (-880)
PACKAGE W x D x H (mm)	1865 x 830 x 790
POWER SUPPLY	1 Phase 220 - 240V 50Hz Capacity: 0.78kVA (3.55A)
ELECTRIC CONSUMPTION	Motor: 380 W Heater: 149 W Refrigeration: 416 W Defrost: 149 W
AMPERAGE	Rated: 2.5A
SHELF	6 pcs.
OPERATING CONDITION	Ambient Temperature: 5 - 32°C Voltage Range: Rated Voltage ±6%

We reserve the right to make changes in specification and design without prior notice. [WWW.HOSHIZAKI.COM](http://WWW.HOSHIZAKI.COM)

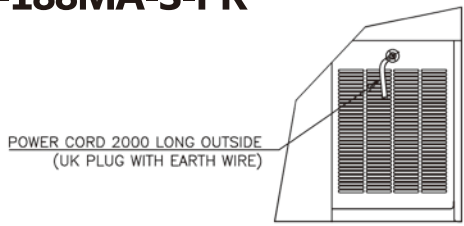


**HOSHIZAKI**

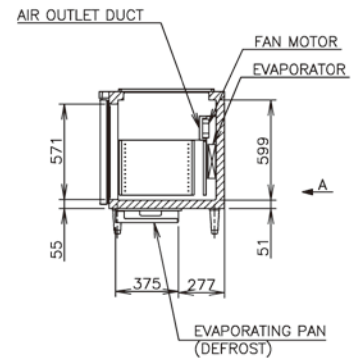
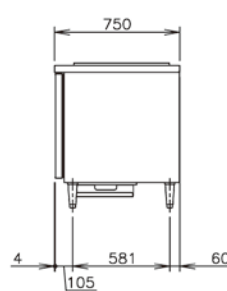
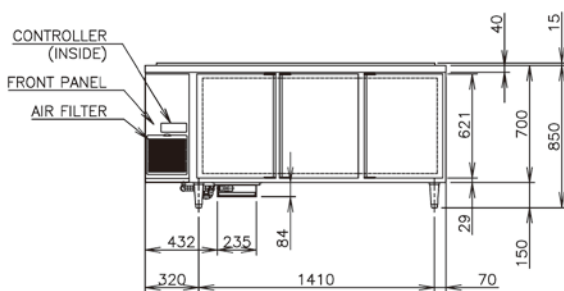
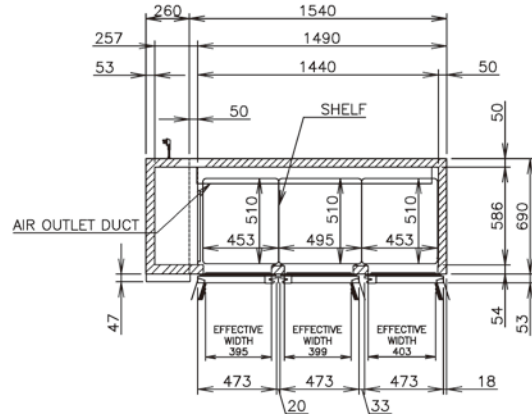
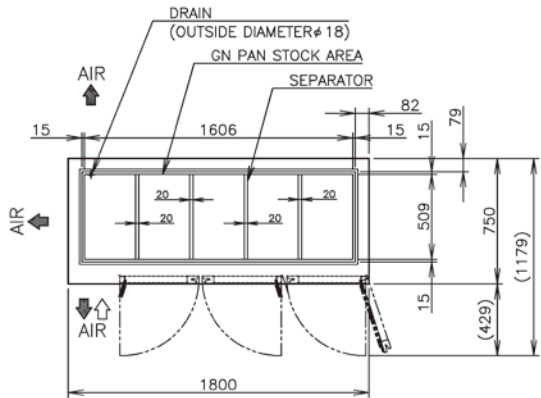
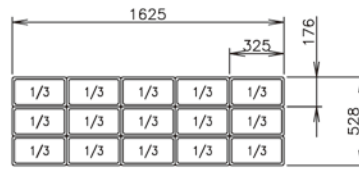
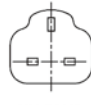
18 Boon Lay Way #01-102 Tradehub 21, 609966  
 TEL 6225 2612 FAX 6225 3219 [www.hoshizaki.com.sg](http://www.hoshizaki.com.sg)

# DIMENSIONS & SPECIFICATION

## RT-188MA-S-PR



VIEW A(1/10)



MODEL	RT-188MA-S-PR
TEMP. CONTROL	- 2 to 12°C
EFFECTIVE CAPACITY	517 L
WEIGHT	Net : 108 kg (Gross : Approx. 113 kg)
OUTSIDE DIMENSIONS W x D x H (mm)	1800 x 750 x 850 (-880)
PACKAGE W x D x H (mm)	1865 x 830 x 790
POWER SUPPLY	1 Phase 220 - 240V 50Hz Capacity: 0.78kVA (3.55A)
ELECTRIC CONSUMPTION	Motor: 380 W Heater: 149 W Refrigeration: 416 W Defrost: 149 W
AMPERAGE	Rated: 2.5A
SHELF	6 pcs.
OPERATING CONDITION	Ambient Temperature: 5 - 32°C Voltage Range: Rated Voltage ±6%

We reserve the right to make changes in specification and design without prior notice. [WWW.HOSHIZAKI.COM](http://WWW.HOSHIZAKI.COM)



**HOSHIZAKI**